

USING THE GUN REST

PARTS LIST

- A. Rear Leg Frame
- B. Front Leg Frame
- C. Top Assembly
- D. Forend Brace
- E. Buttstock Brace
- F. Primary Shaft
- G. PS Nut
- H. PS Washer
- I. Take-Down Screw
- J. Take-Down Knob
- K. Tension Knobs
- L. Gunsmith's Brace Frame
- M. Adjustment Knobs
- N. Stock Pad
- O. Elevation Adjuster

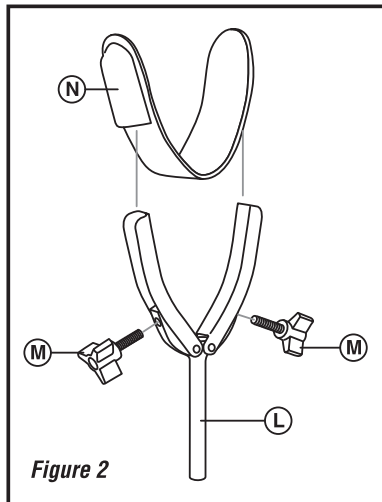


Figure 2

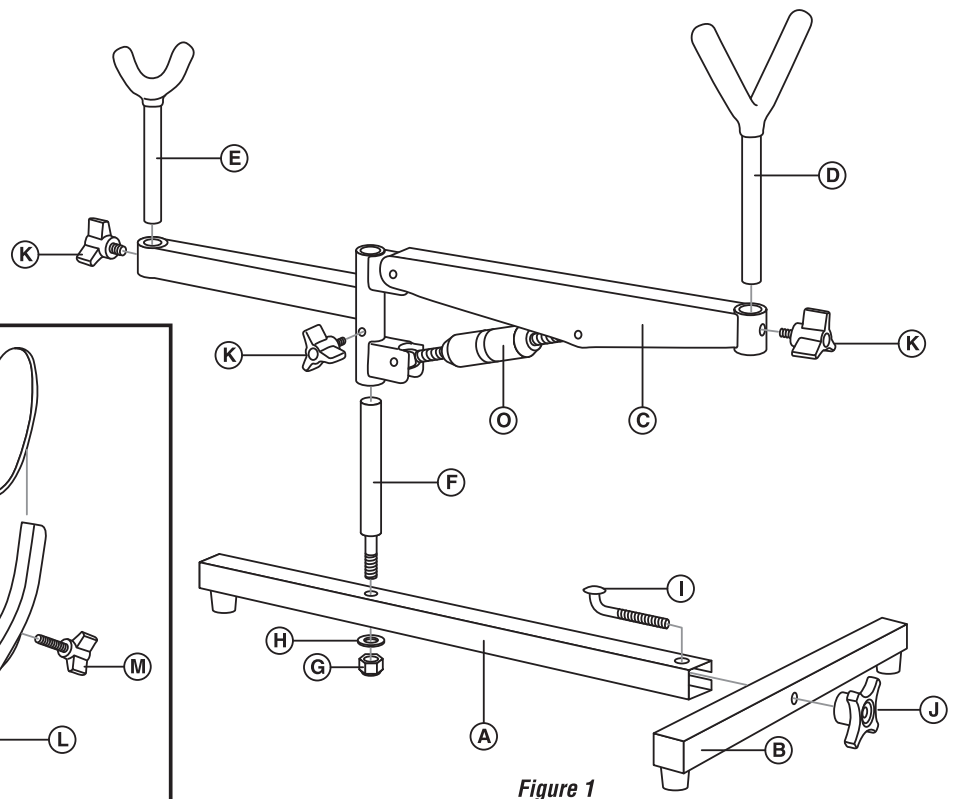


Figure 1

Step 1

Set the rest on a flat surface, like a shooting bench or picnic table. Make sure that all three rubber feet are firmly on the surface. Any wobble will destroy accuracy.

Step 2

Loosen the Tension Knob that contacts the primary shaft. Align the sights or scope of the gun with the target horizontally first. Tighten the Tension Knob when you have the gun pointed with the proper right and left orientation to the target.

Step 3.

Loosen the Tension Knob that controls the Buttstock brace and set it to the correct height to contact your shoulder in the proper place. Tighten the Tension Knob when you have fitted the Buttstock to your shoulder.

Step 4

Loosen the Tension Knob that controls the Forend brace and raise it until you have it positioned correctly to align the rifle's scope or sights to the proper up and down position with regard to the target. Re-tighten the Tension Knob on the Forend brace.

Step 5

The final adjustment up and down will be made with the Elevation Adjuster (O). Raise or lower the forend by twisting the elevation adjuster. Recheck the three Tension Knobs to assure that they are tight.

When the gun sight or scope is aligned with the target, load one round into the chamber. After loading, recheck the sight / scope alignment to assure that the gun is still aimed at the target.

Safety Tip: Always wear Eye and Ear Protection while shooting

Adjusting a Rifle Scope:

When adjusting a rifle scope, remember you are moving the scope to where the barrel is shooting. In other words, if the first shot is 8 inches to the right of the bullseye, move the scope 8" to the right. (Most scopes adjust approximately 1/4 inch at 100 yards for every click of the scope turret screw.)

Second Example: If your gun is shooting 4 inches low at 100 yards, adjust the scope down the appropriate amount. (For most scopes this would mean about 16 clicks of the turret screw)

Adjusting Iron Sights:

When adjusting iron sights, move the rear sight in the direction you want the bullet to move. Example: If your rifle is shooting to the left, move your sight to the right and the point of impact of your bullet will also move to the right.

If it is necessary to adjust the front sight of a rifle, adjusting the front sight will have the opposite effect. Example: If the gun is shooting high, the shooter must raise the front sight to lower the point of impact of the bullet.

DIS-ASSEMBLY

For Quick Take-down:

1. Loosen the K2 Tension Adjustment for the Primary Shaft.
2. Lift the Top Assembly from the Primary Shaft

If further take-down is desired:

3. Loosen the Take-down Knob (J)
4. Remove the Take-down Screw, separate the Rear Leg Frame from the Front Leg Frame.
5. Re-install the Take-down Screw into the Front Leg Frame and Secure it by twisting the Take-down Knob several times onto the threads.